



Patrick County Public Schools

RFP #04-22

Network Cabling

Request for Proposal Issued:

September 30, 2022

Deadline for Submitted Proposals:

4:30pm EDT Friday, October 21, 2022

Introduction

Patrick County Public Schools are a K-12 environment located at the foot of the Blue Ridge Mountains. The school division is committed to providing students a safe and caring learning environment, stellar instruction, access to cutting-edge technology, and relevant learning opportunities that will prepare them for success beyond high school in the 21st Century. We value, respect, and support our teachers because we believe the key to student learning is great teaching. To help inspire and engage students in their learning, we provide teachers ongoing, useful professional development and technology tools to bolster their instruction for the purpose of advancing student learning to the highest levels. We also enjoy the support of a wonderful parent community, which enhances a partnership for student success.

General Requirements

The purpose of this Request for Proposal (RFP) is to invite vendors to submit a proposal to complete a network cabling project at the Division School Board Office. The solution will cover all steps from the initial site survey to equipment acquisition and complete installation.

In order to ensure that the required services are provided with the highest possible quality and professional services, Patrick County Public Schools is interested in establishing a contract with a vendor experienced and that will provide the quality of services requested in a professional and timely manner.

Communications

All communications regarding this RFP should be referred to the contact below:

Darren Biggs
Director of Technology
darren.biggs@patrick.k12.va.us
276-692-5826

Submit questions via email to the email address listed above. Answers will be posted before the RFP deadline at Patrick County Public Schools website.

Scope of Work

Project includes installation of approximately 165 runs of CAT6 data drops throughout the facility. The cable installation must meet or exceed the Category 6 specifications and must be plenum rated and have low smoke properties in accordance with the National Electric Codes. All cable must be properly dressed, labeled and secured with machine generated labels per industry standards. Installation includes all terminating required and connections from the MDF or other switches as needed. Each data outlet and cable shall be tested and certified for permanent link compliance.

Selection Criteria

Patrick County Public Schools will conduct a fair evaluation process based on criteria listed herein and will use multiple criteria to select the most qualified vendor who represents an understanding of Patrick County Public Schools needs. Vendors should have significant experience in projects involving network data and voice cabling installations.

The RFP will allow Patrick County Public Schools to review proposals and enter into negotiations with the vendor whose proposal is most advantageous to the school district with price and other factors considered.

Technical Review Criteria

A number of factors will influence the decision in determining whether or not a vendor is qualified. The following list summarizes the major qualitative areas that will be evaluated, along with their overall weighting.

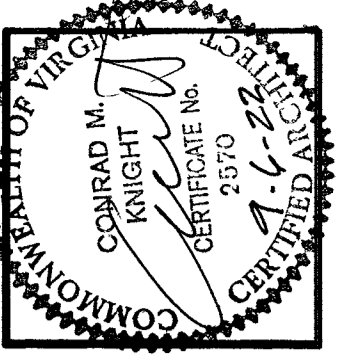
Financial Considerations (Price of goods and Services)	50%
Work Plan/Business and Technical Experience	20%
Vendor Strength, stability and expertise	15%
Company references (Demonstrated customer service, quality and support)	15%
Total	100%

Response Contents and Format

The vendor proposal shall include the following information:

1. Overview of Company
2. Qualifications
3. Proposed configurations and costs
4. List of references/customers

Your proposal shall be submitted to the email address indicated in the communications section of this document.



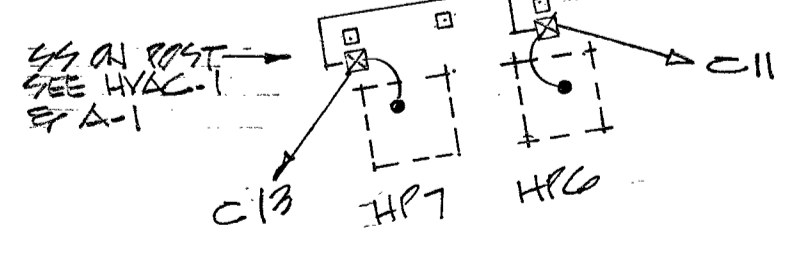
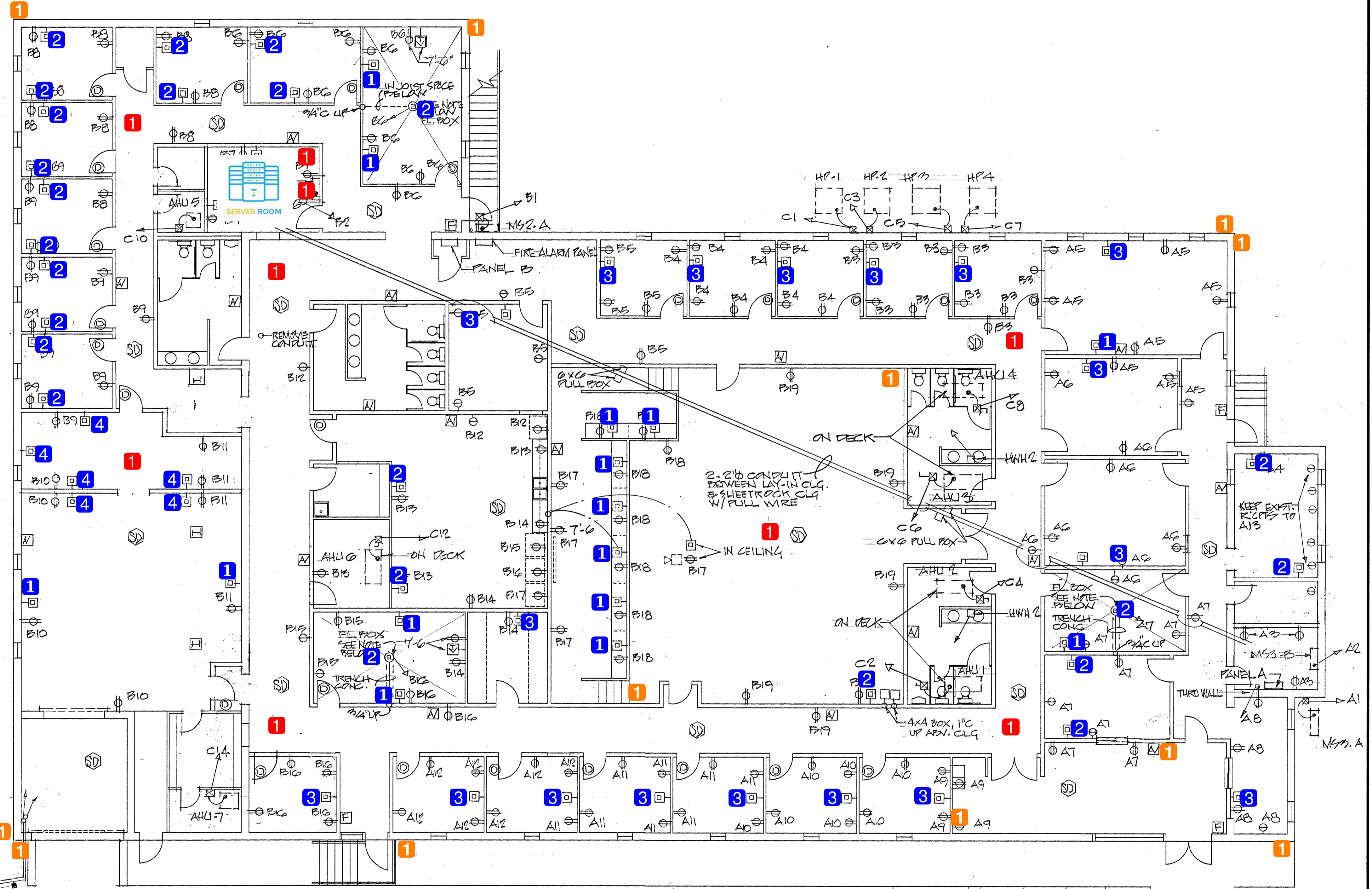
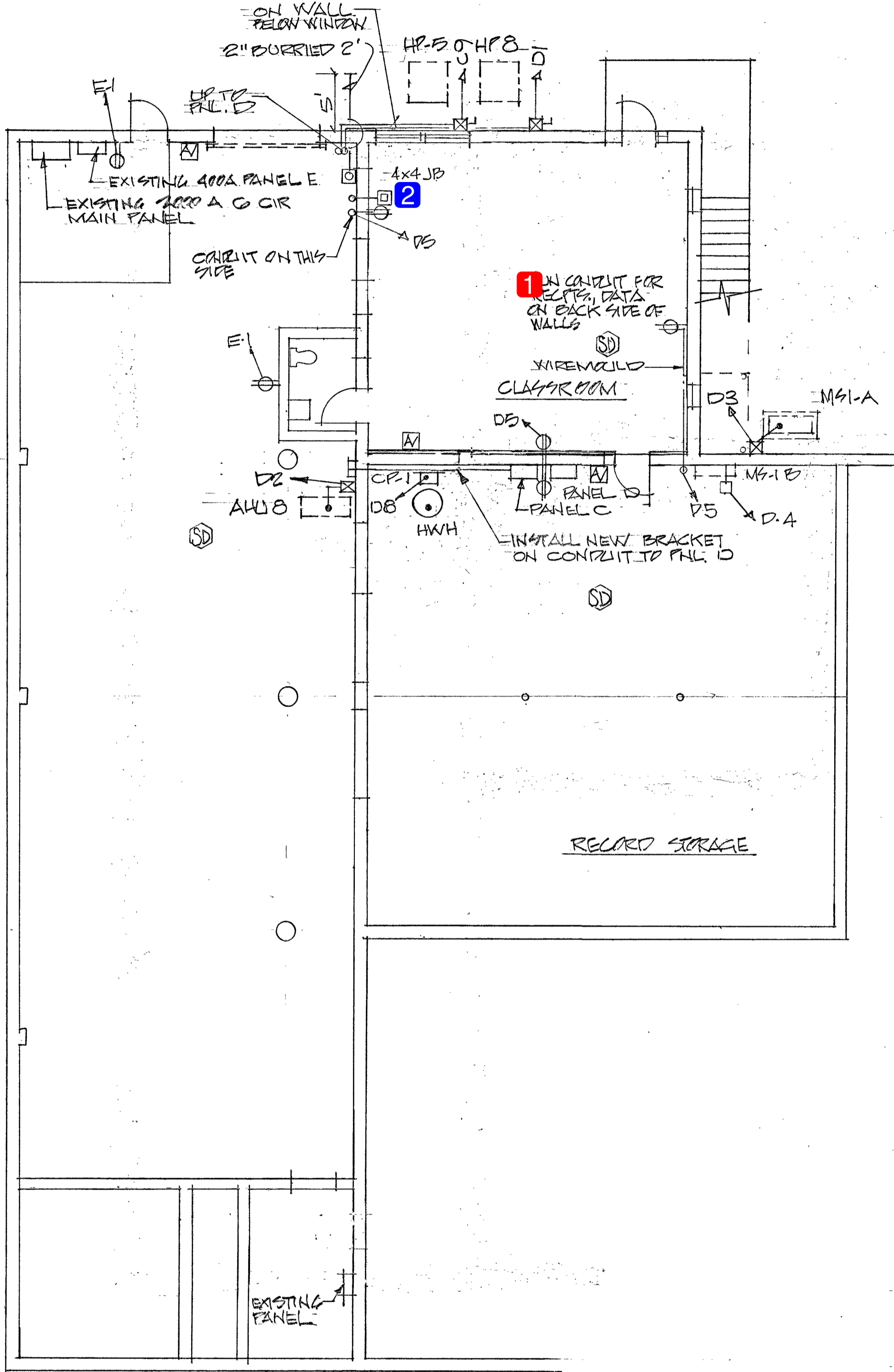
EXISTING BUILDING RENOVATIONS FOR
NEW OFFICE
PATRICK COUNTY SCHOOL BOARD
192 N. MAIN ST
STUART, VA.

REVISION NO.	DATE	DESCRIPTION

DATE: 9-6-22
DRAWING NO: 17796

CONRAD KNIGHT ARCHITECTURE PLLC
212 STARLING AVENUE SUITE 30
MARTINSVILLE, VIRGINIA 24112
PHONE: (276) 638-8794
EMAIL: 88knight@comcast.net

DRAWING NUMBER
E1
OF 3



- ⊖ NOTE: KEEP EXIST. RECEPTACLES & CONNECT TO PANEL
- ⊙ FLOOR DATA/RECEPTACLE BOX STEEL CITY 664-C1, 664CST CARPET COVER, ROAR, DATA PORT, CUT CONC. SLAB, INSTALL CONDUIT, REPAIR CONCRETE

NOTE: PLAN SHOWS AUDIO/VISUAL [AV], FULL STATIONS [FS] & PANEL [P]
SEE ELECTRICAL SPECIFICATION MANUAL FOR FIRE ALARM SECTION

LOWER LEVEL ELECTRICAL POWER PLAN
1/4" = 1'-0"

MAIN LEVEL ELECTRICAL POWER PLAN
1/4" = 1'-0"